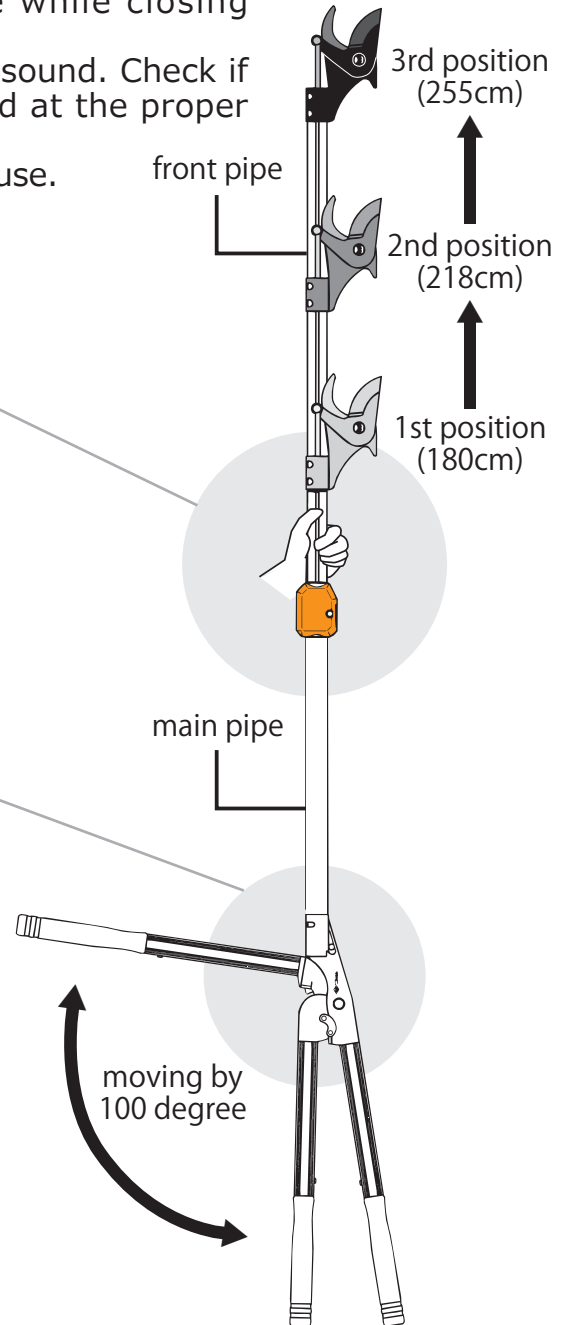
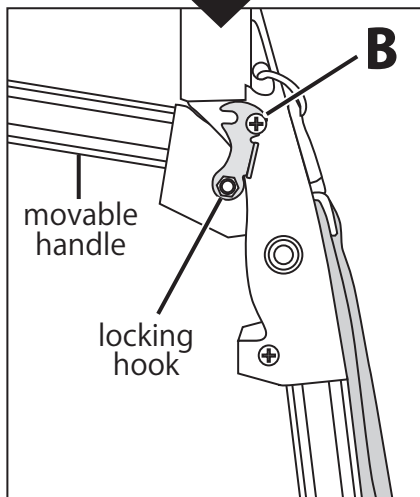
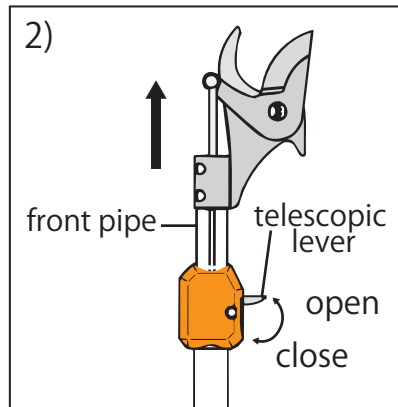
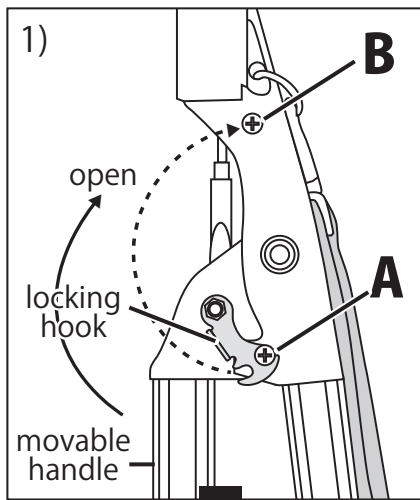


Important! How to start

- 1) Move locking hook from A to B positions while opening movable handle.
- 2) Open telescopic lever, and pull out front pipe while closing telescopic lever.
The pole is fixed at the hole position with "kacha" sound. Check if telescopic lever is closed and pole is firmly fastened at the proper position.
- 3) Loosen locking hook from B position. It is ready for use.



Made
in
Japan

2019.08 英語版



Safety Instruction

- Keep away from electricity.
This product is made of metal and is not insulated against electric shock. Approaching or contacting electric power lines with this product **may cause death by electrocution or serious body injury.** Electricity can move through branches, especially if they are wet.
- These shears are dedicated to branch cutting. Use them only for their intended purpose.
- Keep shears away from children and bystanders.
- Dress properly.
Wear hard hat, protective glasses, face and ear protection and gloves to reduce the risk of personal injury.
- Make sure you always have good footing.
Do not use Futomaru-Sinsyuku on unstable places such as roof and the top of horse.

Precaution

- Futomaru-Sinsyuku is a shear dedicated to lopping branches. Each Futomaru-Sinsyuku has an upper limit in diameter to cut branches.
Lopping over the limit may cause breaks.
- Once holding branches, **don't try to pry.** That may cause blade chipping and deformation.

Maintenance

- Clear sap, resin and residues. Then oil the indicated parts. Use plant oil to screw parts on the blade.
- Keep the cutting tool sharp.
When the blade becomes dull, use a sharpener, or replace it. Replacement blades are available.

Storage

- Close the mouth and keep the tool from moving, then store the tool out of the reach of children and other unauthorized persons.